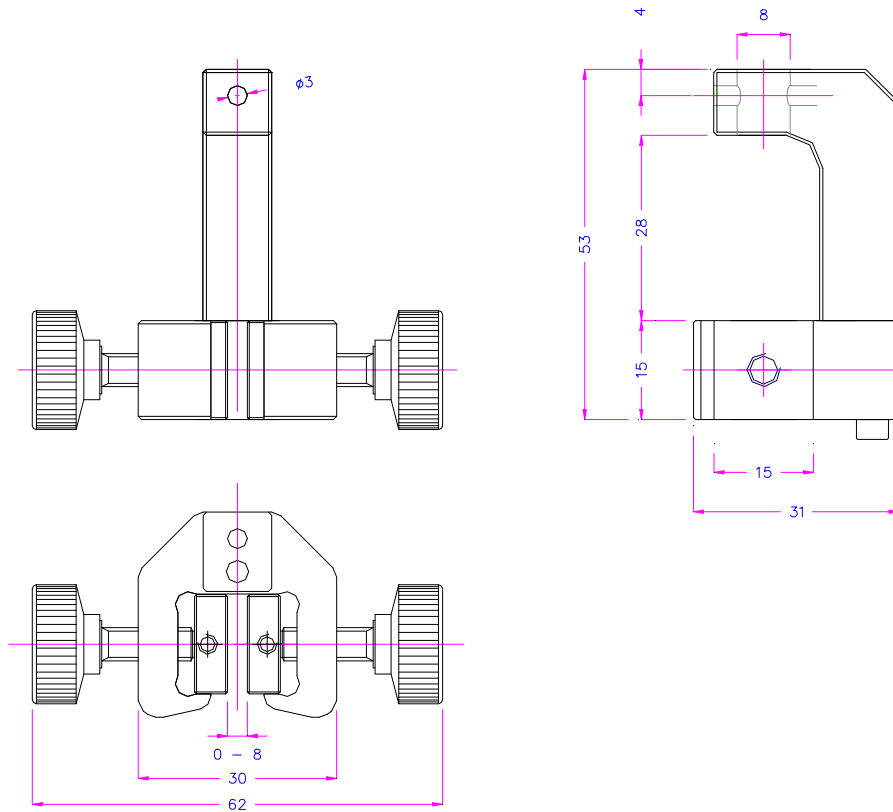


SERIES OF SMALL VISE GRIPS

- Lightweight grips for universal use for small samples
- Tensile force up to 17 kN
- For load cells < 50 N

Item no.:	TH140k
Load capacity:	100 N
Jaw clamping surface:	15x15 mm
Jaw opening:	0-8 mm depending on jaw type
Standard coupling:	Af8 mm. Further couplings on request
Body:	Anodized aluminium
Jaws:	Hardened steel 58HRC
Standard temperature range:	0 ... +70°C Further temperature ranges on request
Weight per grip incl. jaws:	64 g
Scope of supply:	1 pair of grips incl. pyramid jaws



TH140k

Jaws for TH140 series:

Item No.	Jaw face	Clamping surface	Jaw opening	Weight per pair
TH140-B	Blank (smooth)	15x15 mm	0-8 mm	14 g
TH140-BG	Rubber-coated	15x15 mm	0-6 mm	16 g
TH140-BP	Pyramid (serrated)	15x15 mm	0-8 mm	14 g



TH140-B



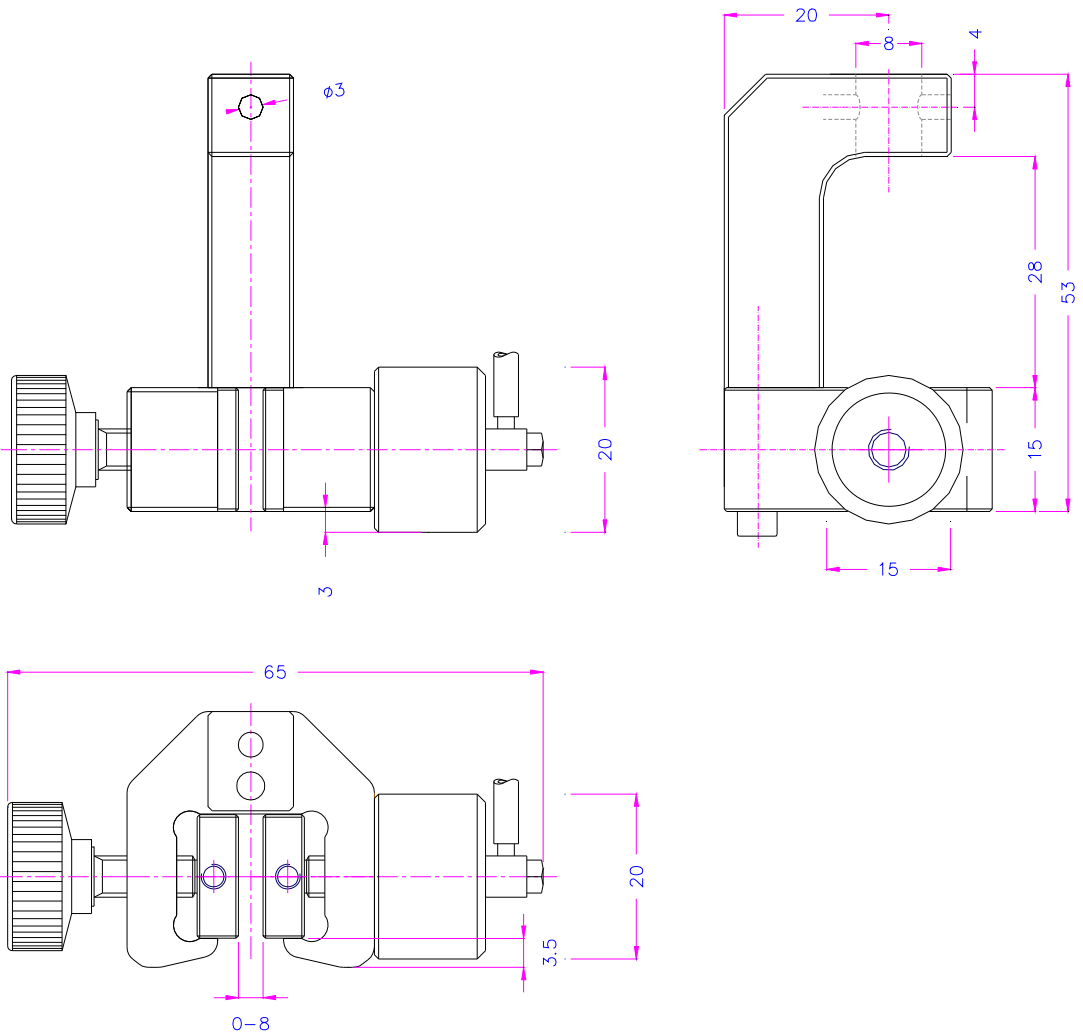
TH140-BG



TH140-BP

Pneumatic version

Item no.:	TH140k+Ko
Clamping. force:	140 N at 7 bar
Jaw clamping surface:	15x15 mm
Jaw opening:	0-8 mm depending on jaw type
Standard coupling:	Af8 mm. Further couplings on request
Body:	Anodized aluminium
Jaws:	Hardened steel 58HRC
Standard temperature range:	0 ... +70°C Further temperature ranges on request
Weight per grip incl. jaws:	73 g
Scope of supply:	1 pair of grips incl. pyramid jaws



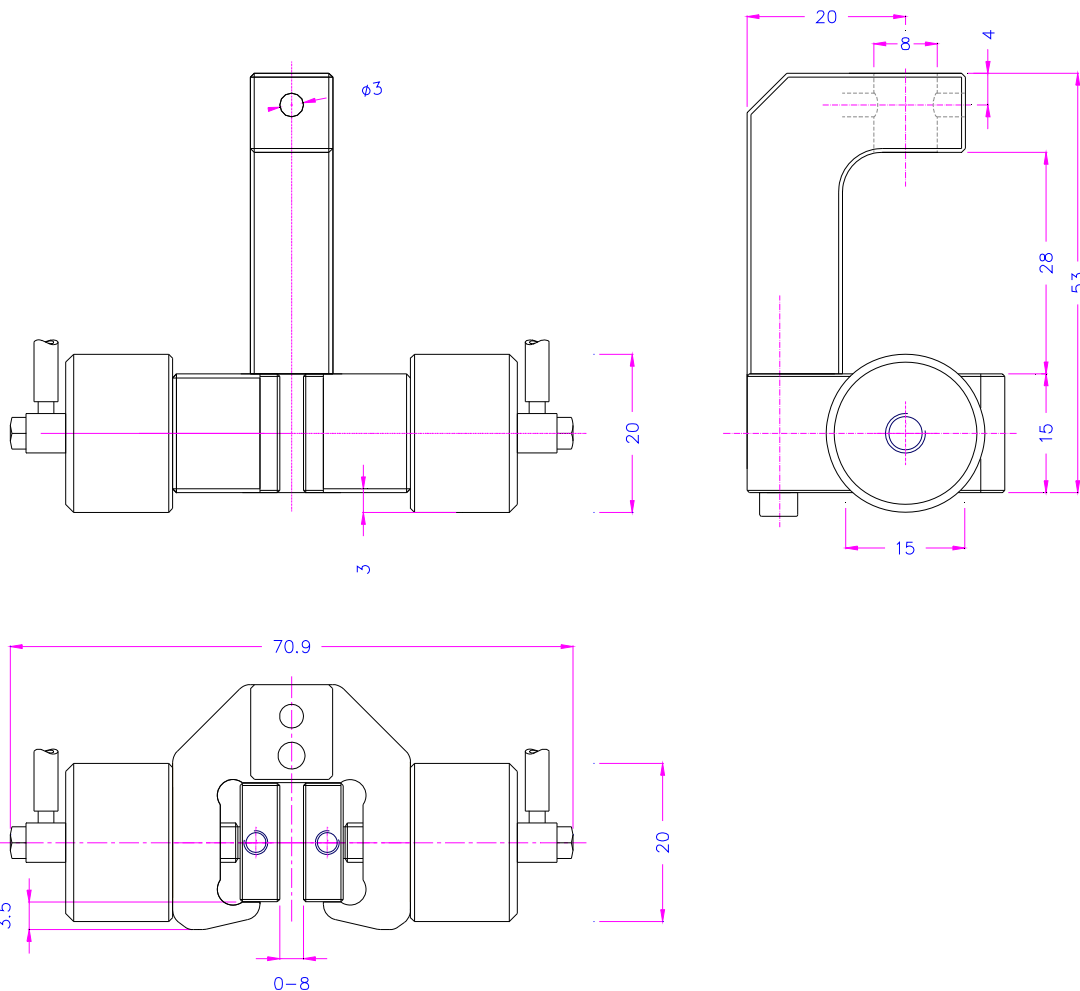
140N (7bar)

TH140k+Ko

Pneumatic version

Item no.: TH140k+2Ko

Clamping. force:	140 N at 7 bar
Jaw clamping surface:	15x15 mm
Jaw opening:	0-8 mm depending on jaw type
Standard coupling:	Af8 mm. Further couplings on request
Body:	Anodized aluminium
Jaws:	Hardened steel 58HRC
Standard temperature range:	0 ... +70°C Further temperature ranges on request
Weight per grip incl. jaws:	87 g
Scope of supply:	1 pair of grips incl. pyramid jaws



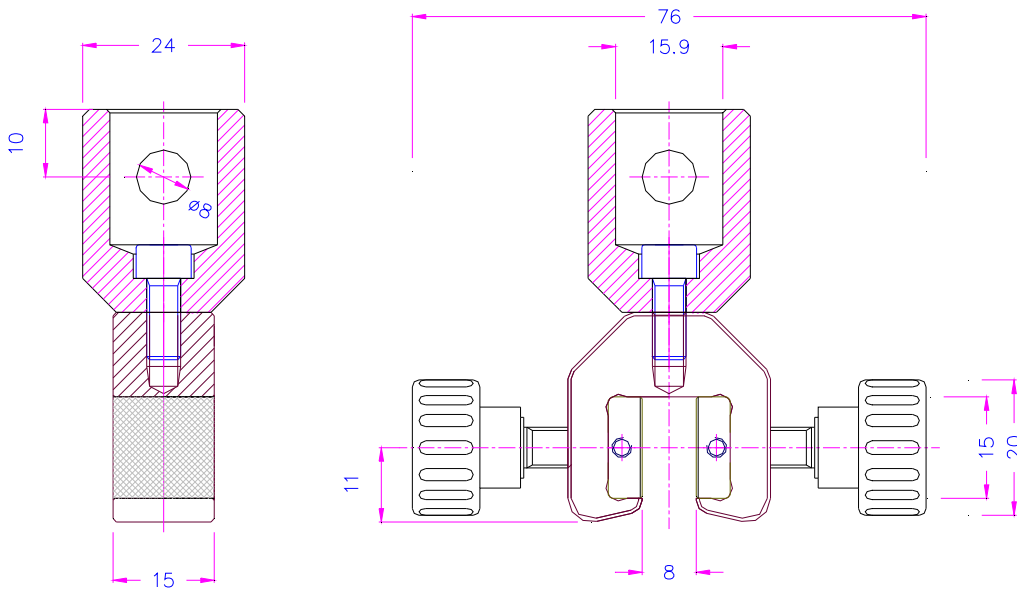
140N (7bar)

TH140k+2Ko

Item no.:	TH140s
Load capacity:	100 N
Jaw clamping surface:	15x15 mm
Jaw opening:	0-8 mm depending on jaw type
Standard coupling:	M5 thread. Further couplings on request
Body:	Anodized aluminium
Jaws:	Hardened steel 58HRC
Standard temperature range:	0 ... +70°C Further temperature ranges on request
Weight per grip incl. jaws:	48 g
Scope of supply:	1 pair of grips incl. pyramid jaws



TH140s + adapter THS637-Af159



TH140s



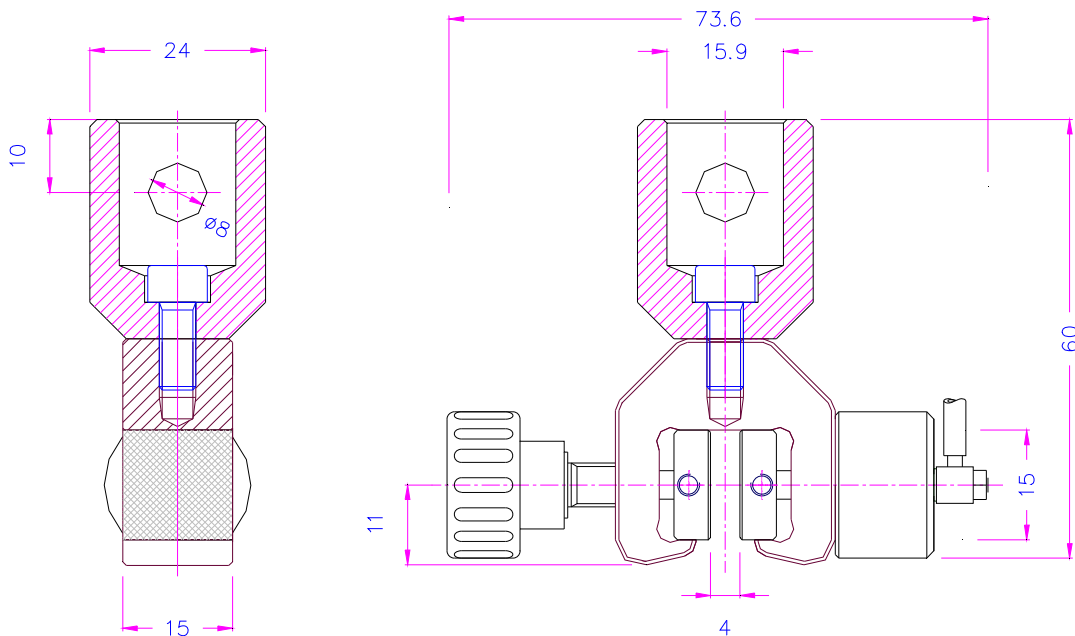
Item No.: TH140s-A4

Same as TH140s but is a complete stainless steel version, perfect for marine environments
Temperature range -60° ... 280°C

Pneumatic version

Item no.: TH140s+Ko

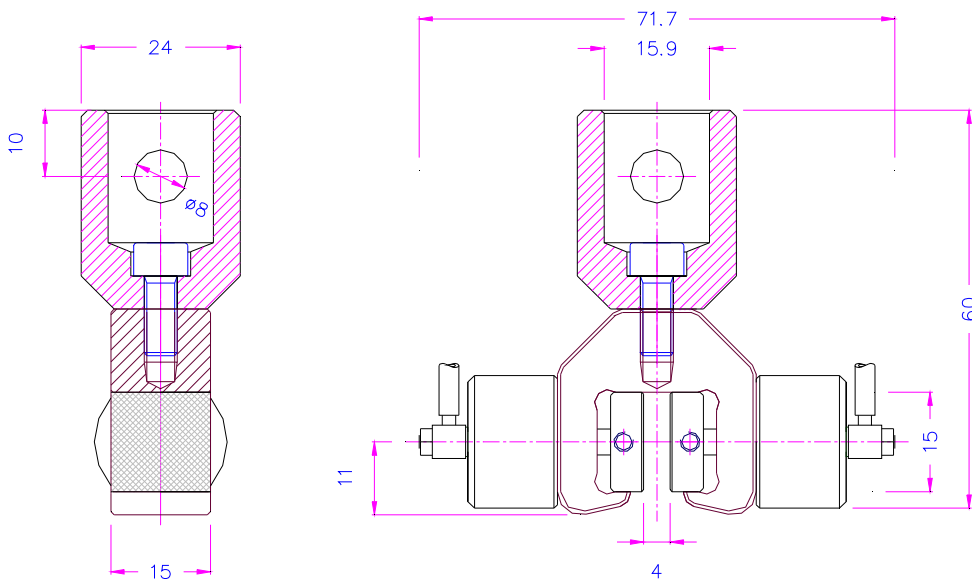
Clamping. force:	140 N at 7 bar
Jaw clamping surface:	15x15 mm
Jaw opening.	0-8 mm depending on jaw type
Standard coupling:	M5 thread. Further couplings on request
Body:	Anodized aluminium
Jaws:	Hardened steel 58HRC
Standard temperature range:	0 ... +70°C Further temperature ranges on request
Weight per grip incl. jaws:	56 g
Scope of supply:	1 pair of grips incl. pyramid jaws



TH140s+Ko

Pneumatic version

Item no.:	TH140s+2Ko
Clamping. force:	140 N at 7 bar
Jaw clamping surface:	15x15 mm
Jaw opening.	0-8 mm depending on jaw type
Standard coupling:	M5 thread. Further couplings on request
Body:	Anodized aluminium
Jaws:	Hardened steel 58HRC
Standard temperature range:	0 ... +70°C Further temperature ranges on request
Weight per grip incl. jaws:	72 g
Scope of supply:	1 pair of grips incl. pyramid jaws



TH140s+2Ko

30.04.2016OI